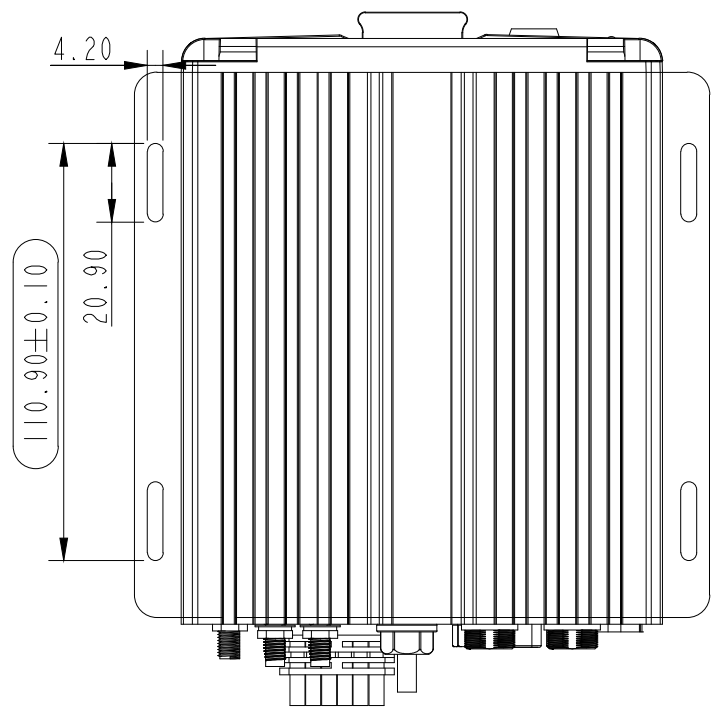
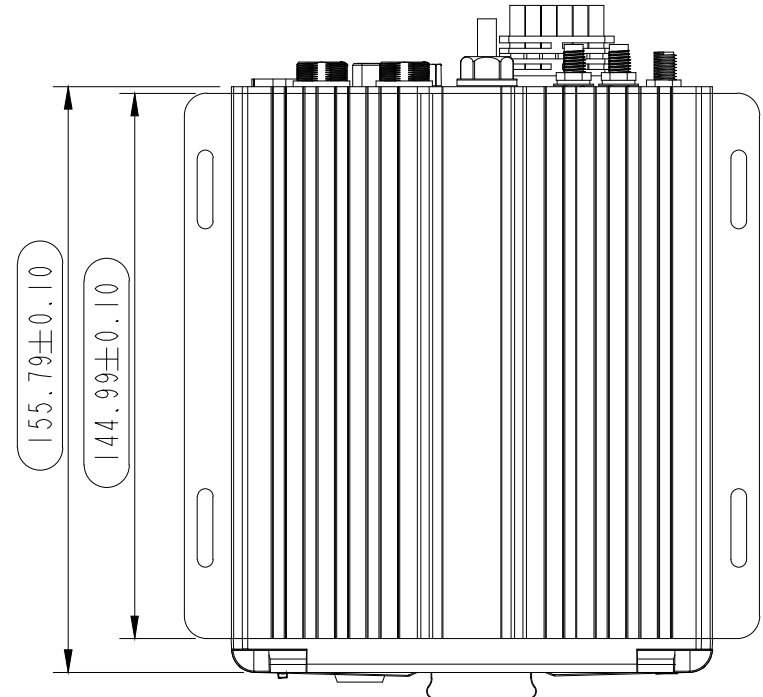
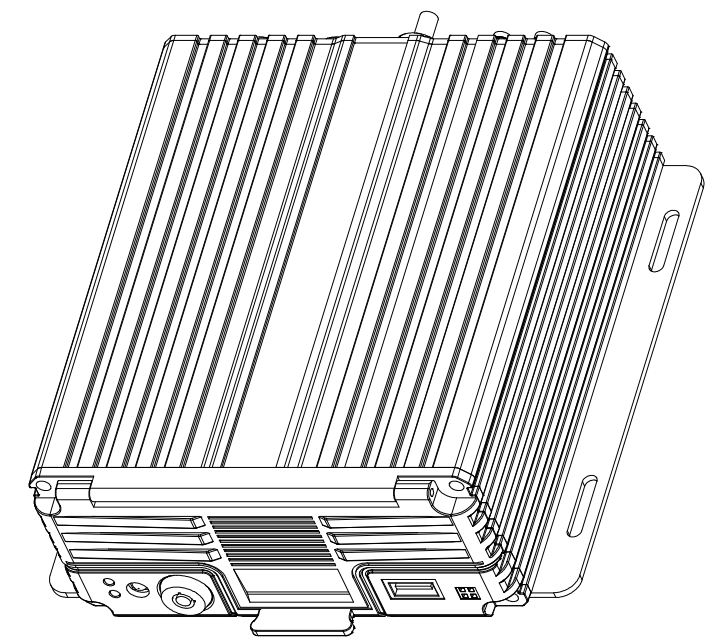
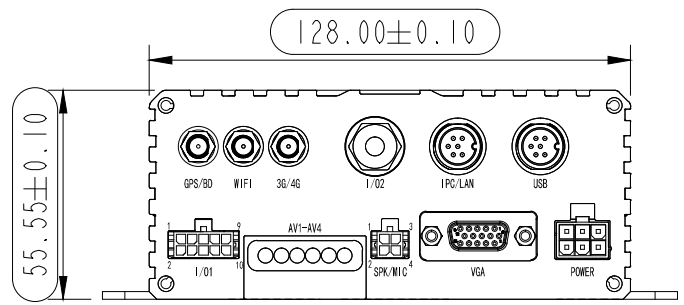
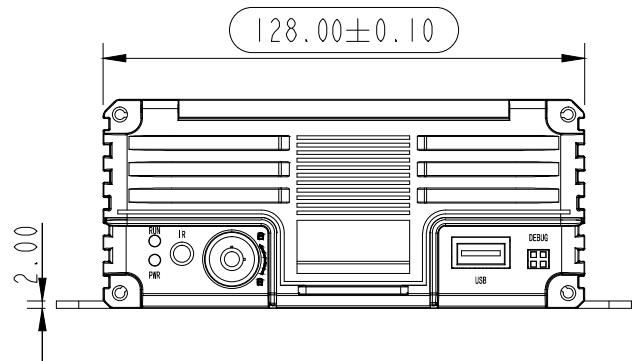


| REV | ECO NO. | DESCRIPTION |
|-----|---------|-------------|
| | | |
| | | |



| | | | |
|------|--|-----------------------|---|
| .X | | TITLE: MA9704E BI 组装图 | |
| .XX | | ANG | DRAW: DATE: 2021-11-08 UNIT'S: MM DWG NO.: |
| .XXX | | | CHKD: DATE: FINISH: STAD: DATE: MASS(Kg): PART NO.: REV VI.0 APPD: DATE: SCALE: 1:2 PRODUCT: SHEET: OF MAT'L: |