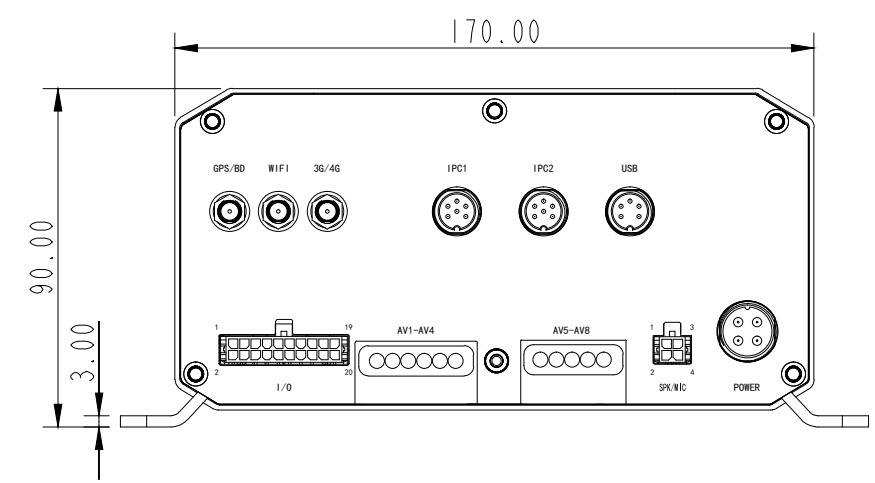
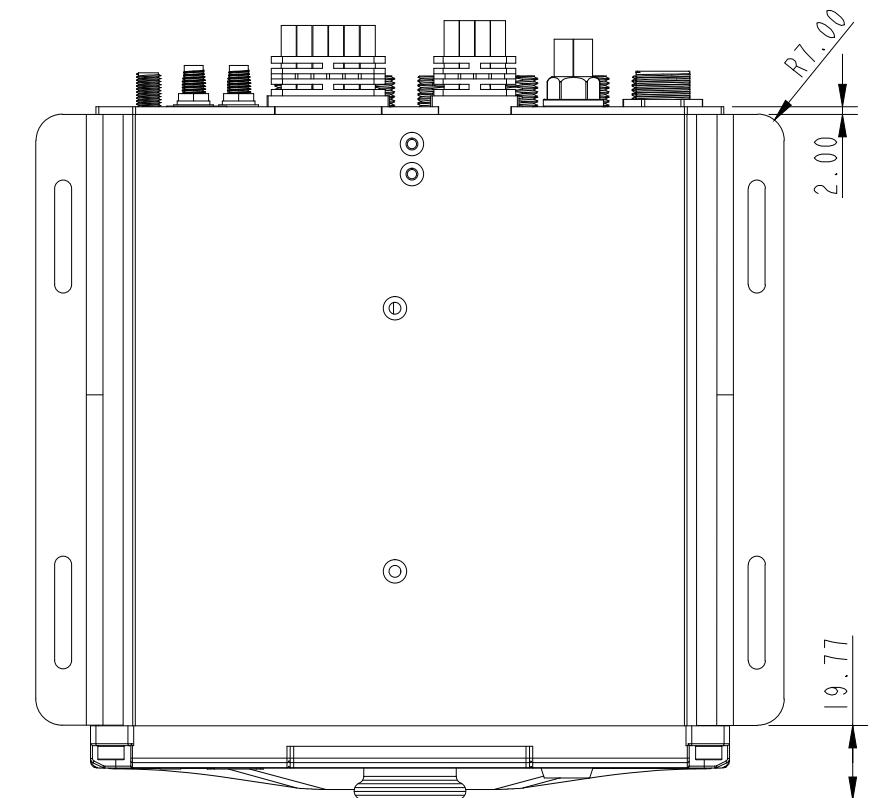
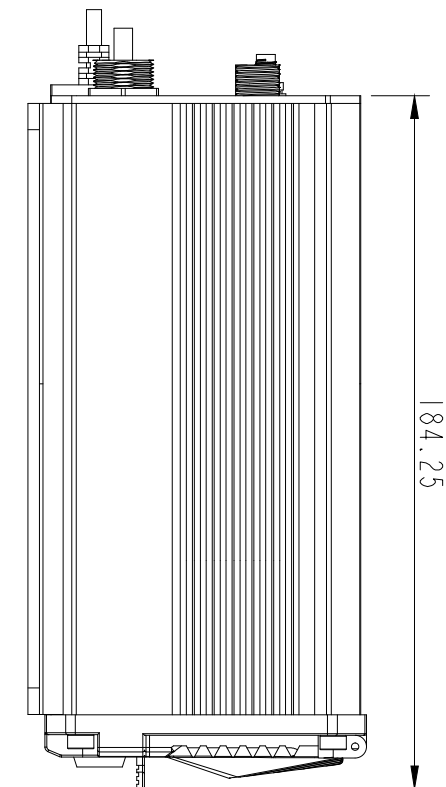
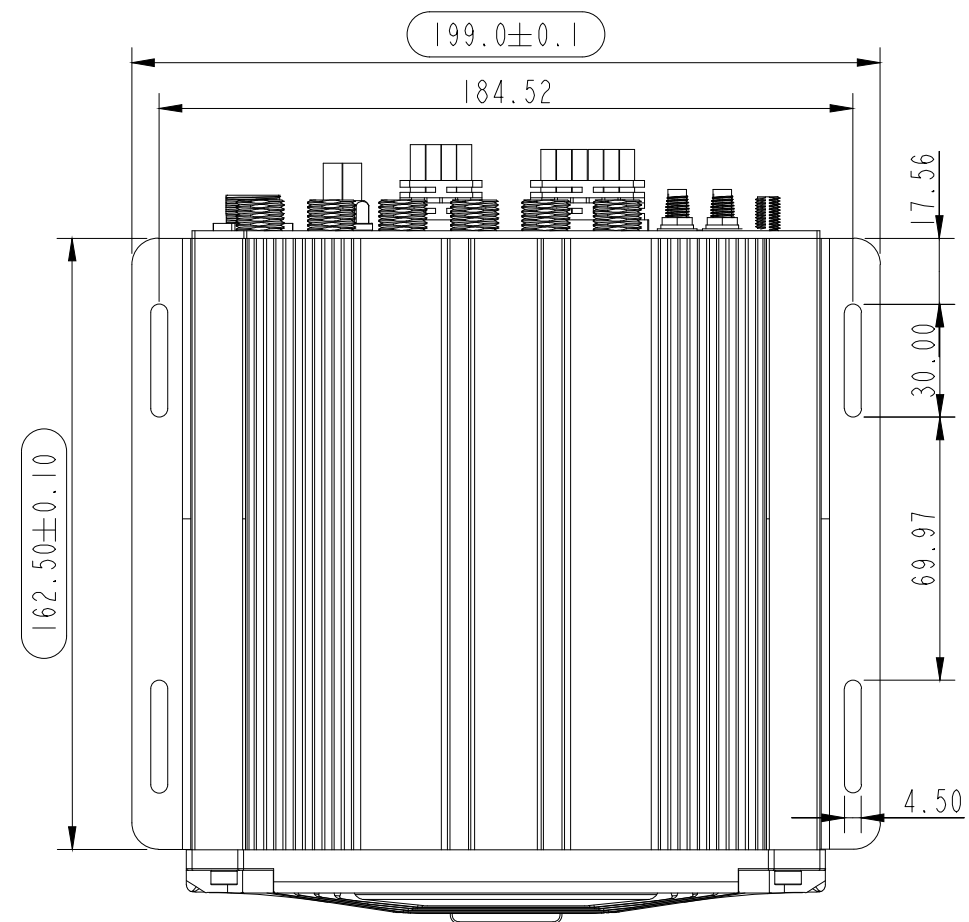
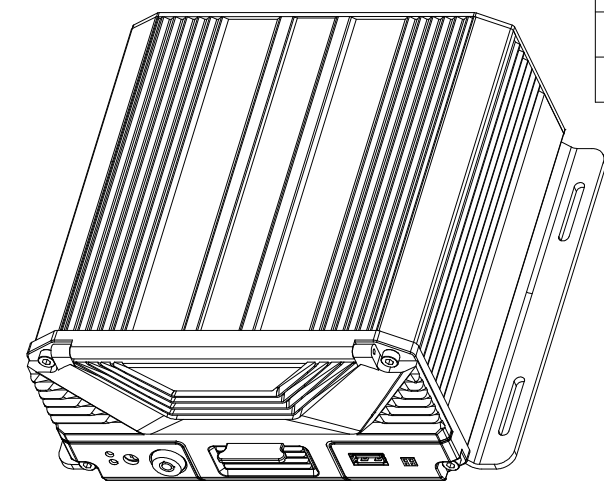
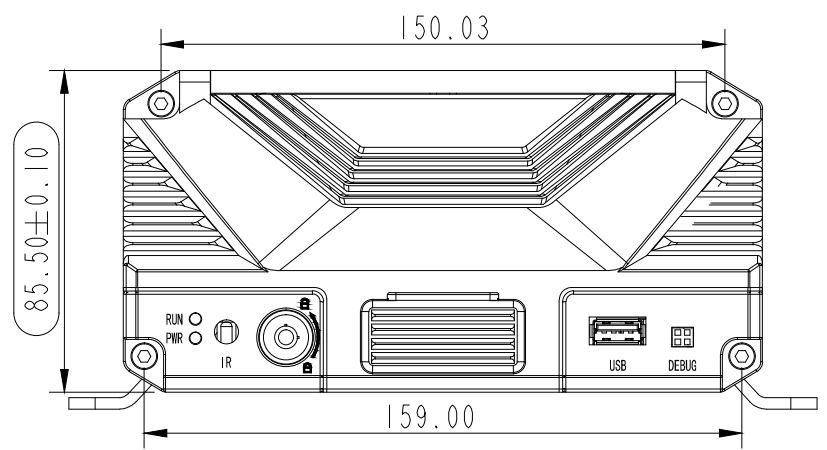


REV	ECO NO.	DESCRIPTION



. X		TITLE: MA9708E 4T 组装图			
. XX		DRAW:	DATE: 2021-11-09		
. XXX		ANG	UNIT'S: MM	DWG NO.:	
		CHKD:	DATE:	FINISH:	
		STAD:	DATE:	MASS(Kg):	PART NO.:
		APPD:	DATE:	SCALE: 1:2	REV VI.0
		PRODUCT:	SHEET: OF	MAT'L:	