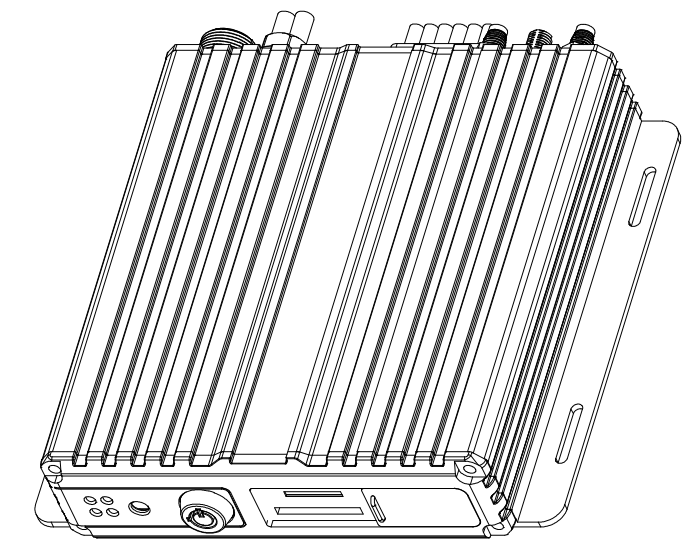
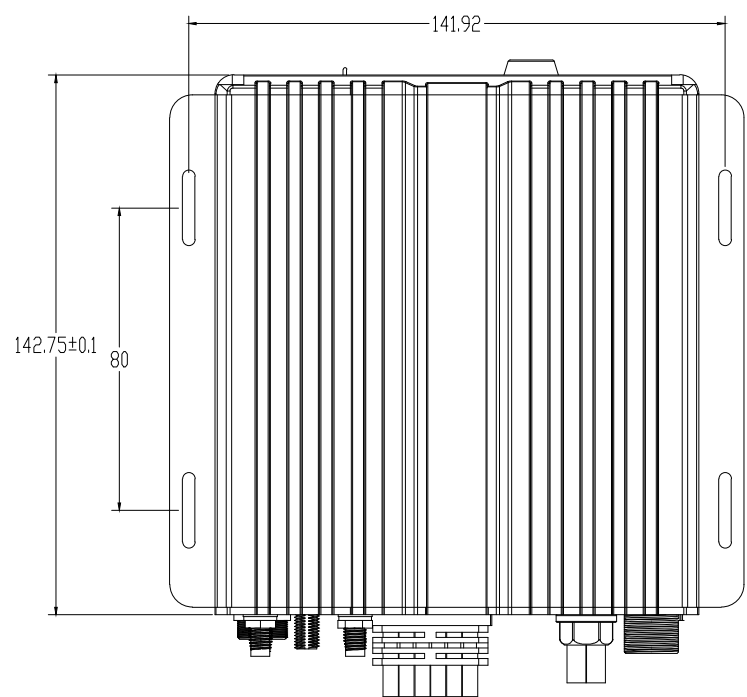
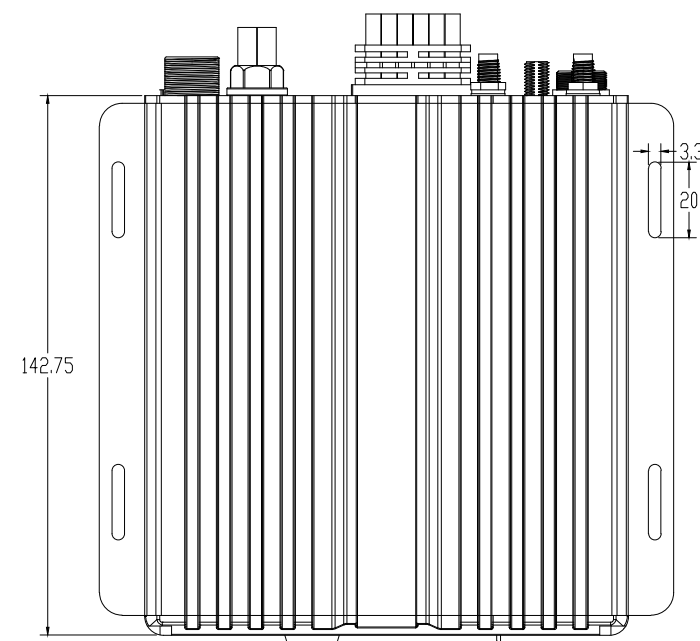
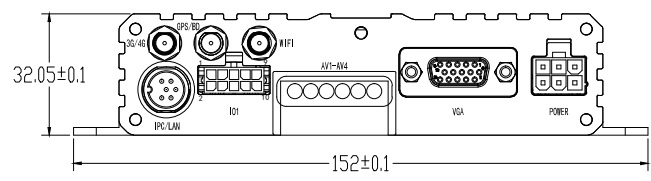
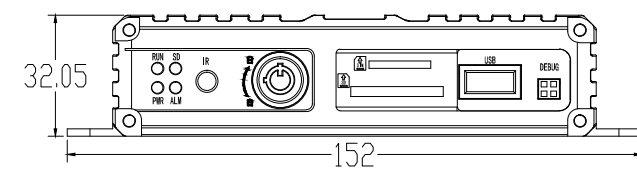


REV	ECO NO.	DESCRIPTION



. X		TITLE: MR9504E BI 组装图	
. XX			
. XXX	ANG	DRAW:	DATE: 2021-08-27
		UNIT'S: MM	DWG NO.:
		CHKD:	DATE:
		STAD:	DATE:
		APPD:	DATE:
		PRODUCT:	SCALE: 1:2
		SHEET: OF	MAT'L:
			PART NO.:
			REV
			V1.0