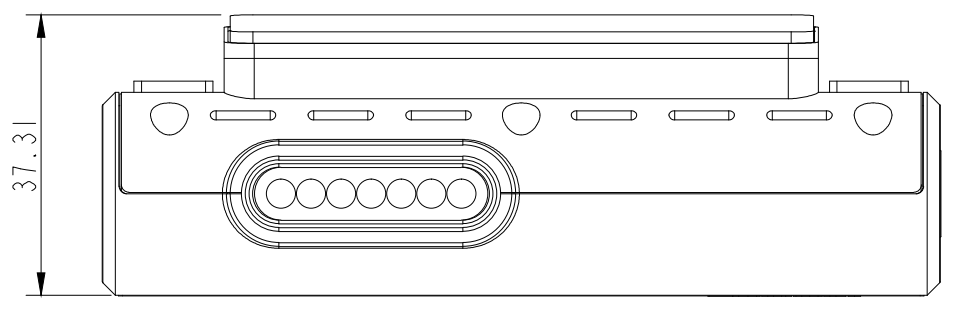
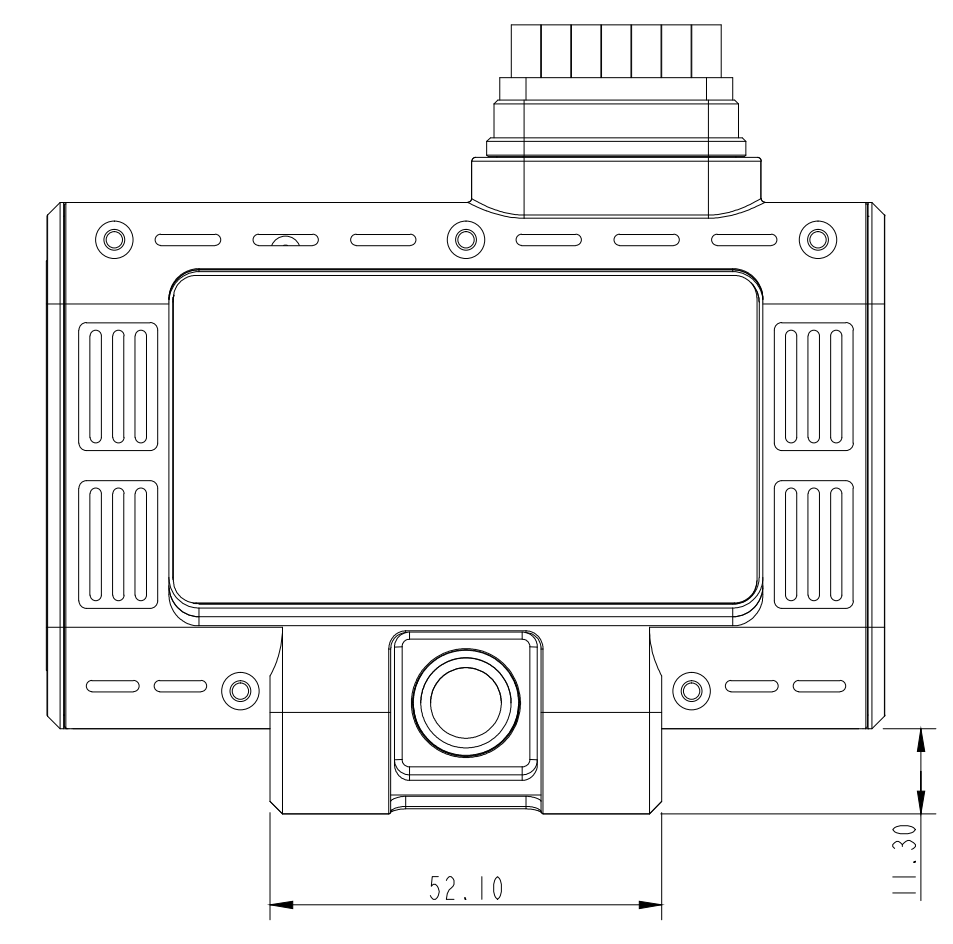
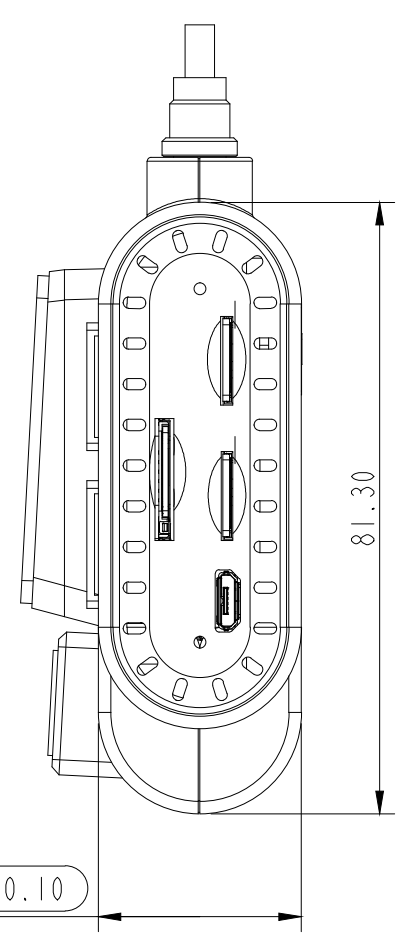
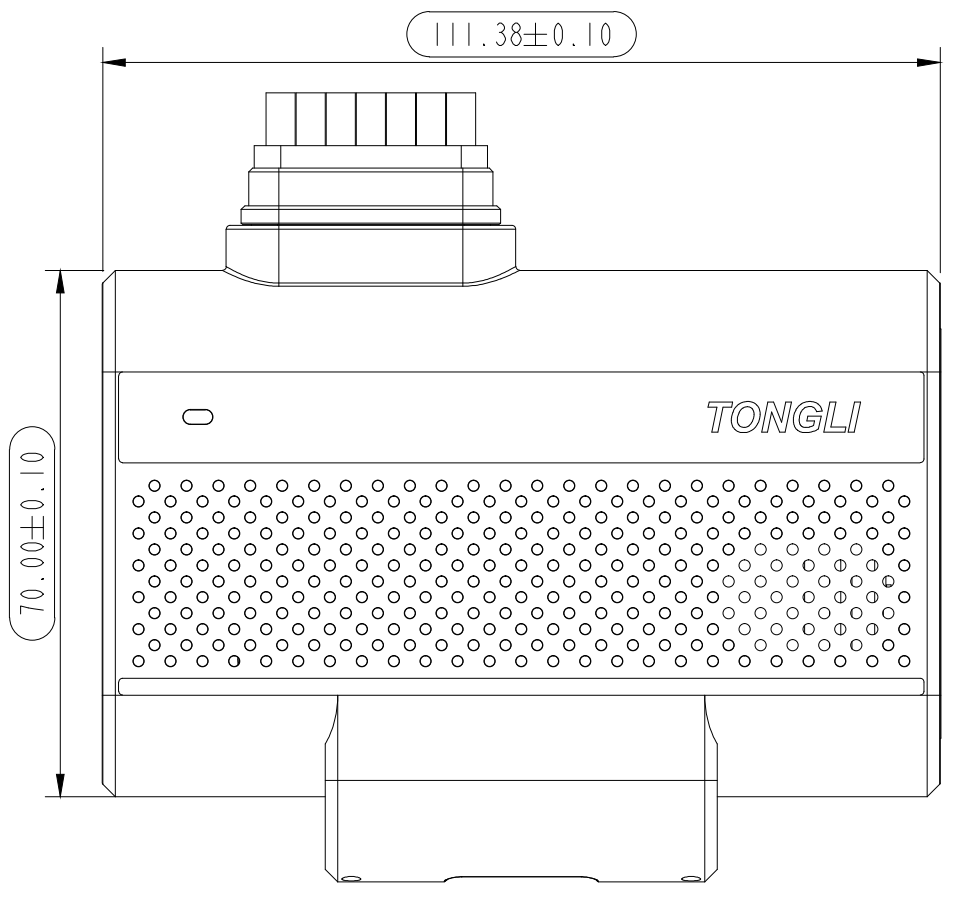
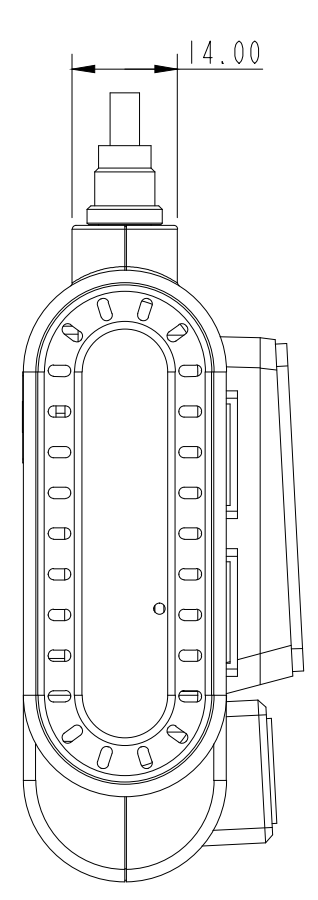
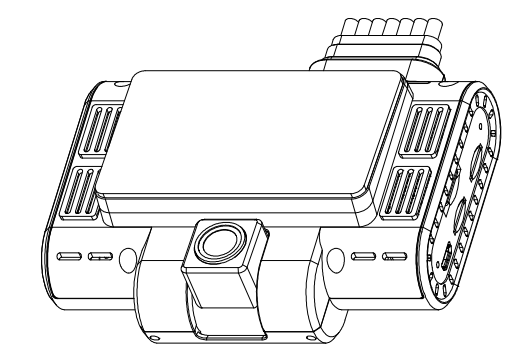
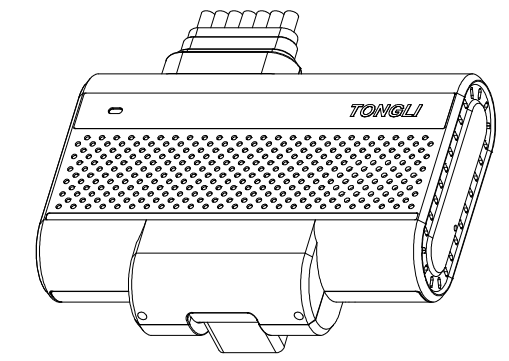
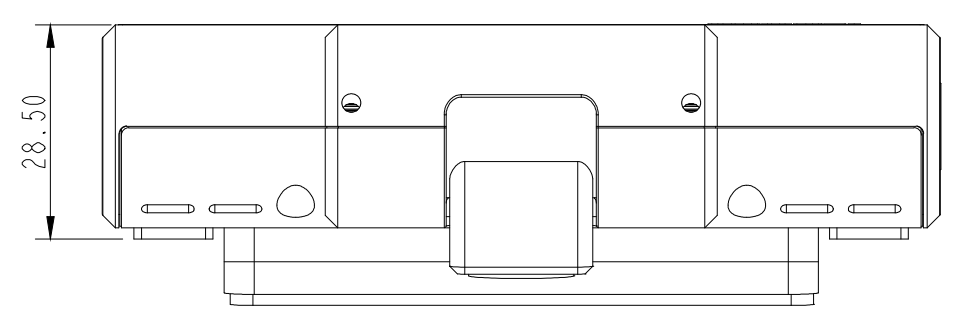


| REV | ECO NO. | DESCRIPTION |
|-----|---------|-------------|
|     |         |             |
|     |         |             |



|      |  |                        |                      |          |
|------|--|------------------------|----------------------|----------|
| .X   |  | TITLE: MT9504 B3 组装图   |                      |          |
| .XX  |  | DRAW: DATE: 2022-06-13 | UNIT'S: MM DWG NO.:  |          |
| .XXX |  | ANG                    | CHKD: DATE:          | FINISH:  |
|      |  | STAD: DATE:            | MASS(Kg): PART NO.:  |          |
|      |  | APPD: DATE:            | SCALE: 1:1           | REV VI.0 |
|      |  | PRODUCT:               | SHEET:   OF   MAT'L: |          |